



► Models 110-120 Loudspeakers

Marine/Industrial and Hazardous Area Loudspeakers

Federal Signal’s model 110-120 Series Loudspeakers are designed for use in industrial public address and general alarm applications, where ATEX certification is required. The 110-120 Series Loudspeakers are available in either an ATEX Zone 1 explosion-proof version or a CE compliant, Marine-grade Industrial version.

Model 110-120 Series Loudspeakers are available in three different configurations, from 8 watt to 25 watt, to provide an appropriate amount of sound for the ambient environment. Each speaker is transformer coupled to fine tune the sound output for each application, and balance the audio load. Available audio inputs are 100 Vrms, 70 Vrms and 8-Ohm.

Mounting is provided by a stainless-steel ratcheted mounting bracket that locks the sounder in position at a specific angle without slipping. The bottom surface of the mounting bracket also contains three mounting holes, to adapt to a variety of surfaces.

The 110-120 Series Loudspeakers are rated for IP66/67 through the use of a neoprene “O” ring seal. All exterior cast aluminum surfaces are finished in powder coat paint and external hardware is manufactured from stainless steel to resist corrosion.

FEATURES

EXPLOSION-PROOF SERIES

- 8 watt, 110 dBa output
- 15 watt, 116 dBa output
- 25 watt, 123 dBa output
- Approved for Zone 1 IIB and IIC
- CE Compliant
- ATEX certified
- Integrated Speaker Monitoring & remote Tapping (I.S.M.T.)
- IEC Certified (25 watt versions)

MARINE/INDUSTRIAL SERIES

- 8 watt, 114 dBa output
- 15 watt, 118 dBa output
- 25 watt, 125 dBa output
- CE-Compliant
- Integrated Speaker Monitoring & remote Tapping (I.S.M.T.)

Frequency Range

110 Series (8W) ¹	110 Series (15W) ¹	120 Series (25W) ¹
600-4000 Hz	390-4500 Hz	350-4000 Hz
110 Series (8W) ²	110 Series (15W) ²	120 Series (25W) ²
500-8000 Hz	390-8500 Hz	300-3700 Hz

Ambient Temperature Range

T4 ¹	T5 ¹	T6 ¹
-20°C to +70°C	-20°C to +55°C	-20°C to +40°C
-20°C to +70°C ²		

¹Explosion-Proof ²Marine

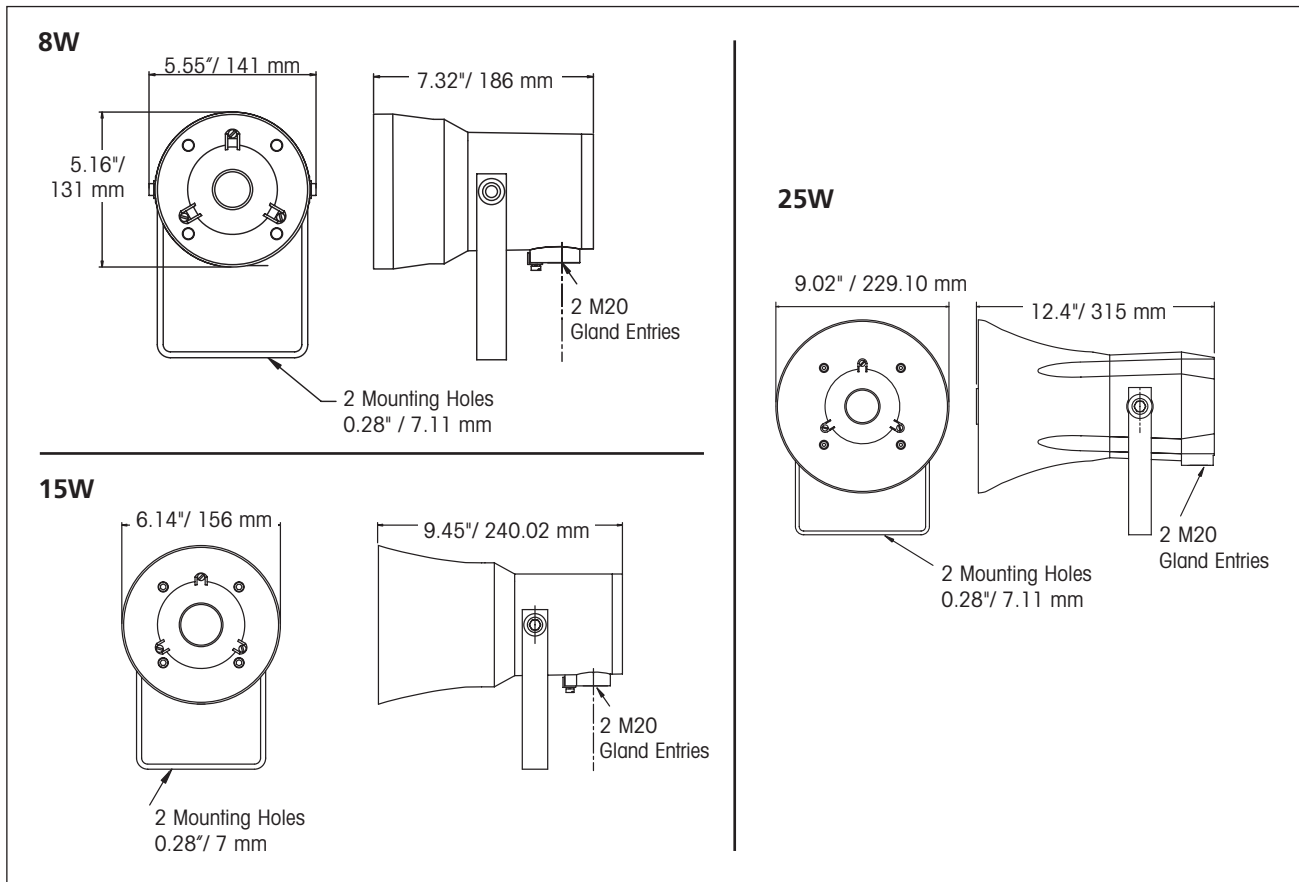
Explosion-Proof Rated

SPL@1kHz (Full power @ 1 meter)				
8W-IIB	8W-IIC	15W-IIB	15W-IIC	25W-IIB
110 dBa	106 dBa	116 dBa	112 dBa	123 dBa
SPL@1kHz (1 watt @ 1 meter)				
8W-IIB	8W-IIC	15W-IIB	15W-IIC	25W-IIB
110 dBa	106 dBa	116 dBa	112 dBa	123 dBa

Marine Rated Power

SPL@1kHz @ (Full power @ 1 meter)		
8W	15W	25W
114 dBa	118 dBa	125 dBa
SPL@1kHz @ (1 watt @ 1 meter)		
8W	15W	25W
104 dBa	106 dBa	107 dBa

Loudspeaker Series (110-120)



SPECIFICATIONS

Net Weight:

8 Watt Short horn Series	6.6 lbs.	3.0 kg
15 Watt Series	7.1 lbs.	3.2 kg
25 Watt Series	14.1 lbs.	6.4 kg

Shipping Dimensions:

29 x 29 x 30 cm (8 Watt/15 Watt)	32 x 30 x 38 cm (25 Watt)
----------------------------------	---------------------------

Dispersion Angle:

Short Horn Series, 8 Watt	180°
Standard Horn Series, 15 Watt	120°
120 Horn Series, 25 Watt	120°

Type: 8/15/25 Watt dual entry

Gland Entries: 2 x M20 x 1.5 mm

Cable Terminations: 6A, 1.5 mm conductors

Mounting: Stainless steel bracket (not painted)

Material: Body & Horn—Marine Grade Aluminum Alloy

Audio Input: 100 Volt, 70 Volt and 8 Ohms

Certification and Approval

110 Series – 8 and 10 Watt:

Baseefa 03ATEX0688X	II2G EExdIIBT4 (T6)
Baseefa 03ATEX0689X	II2G EExdIICT4 (T6)

120 Series – 25 Watt:

Nemko 05ATEX1036	II2G EExd IIBT4 (T6)
IEC	IEC ExNMO4.0002

Marine: Electromagnetic compatibility to EN 61000-6-1,2,3,4: 2001

Standards:

EN50014:	1997 + A1:1999 + A2 :1999
EN50018:	2000 + A1, EN500019:2000

CE:

EMC to EN 61000-6-1,2,3,4: 2001
 LVD to EN 60065

Ingress Protection – Explosion-Proof:

8 Watt/15 Watt	IP66 & IP67-EN60529
25 Watt	IP66 & IP67-EN60529
Marine	IP66 & IP67-EN60529

HOW TO ORDER

Contact factory for ordering assistance